



CONDITIONS OF COMPETITION  
**X. Hungarian Match Play Open**  
**2021.**  
**Final**

**Organizer:** Hungarian Golf Federation

**Rules:** The Championship will be played in accordance with the Rules of Golf approved by R&A Rules Limited, the General Term and Conditions of Competitions and the Conditions of Ranking List Tournaments of the Hungarian Golf Federation, and in accordance with the Local Rules.

**Participants:** All amateur golfers with official Hcp (card) issued by an affiliated member of their respective national federation. (Based on the General Term and Conditions of Competitions.)

**Date of competition:** October 8-10., 2021.

**Venue:** Balatonudvari, Balaton Golf Club

**Form of play:** Single Match play  
**Entry fee:** 100 euro

The entry fee must be paid to the account of the Hungarian Golf Federation below:

OTP Bank: **HU33 11763945 01058886 00000000**- please enter **the name of the player** and the title of the championship in the reference box.

IBAN: **HU33 11763945 01058886 00000000**  
SWIFT: **OTPVHUB**

**Deadline for the entry: September 30. (Thursday), 2021 (23.59h)**

**Deadline for the payment: October 1. (Friday), 2021 (12.00h)**

In the **adult** and **junior** categories the 1-4th places of the Hungarian Rankink list will participate. (Altogether 16 men, and 16 women plus 8-8 foreign players.)

Rankings will be determined according to the rankings of September 1, 2021.

### Participants:

1. Junior 4 boys 4 girls
2. Adult 4 men 4 women
3. Mid-Am 4 men 4 women
4. Senior 4 men 4 women
5. Foreign players: 8 men 8 women

The foreign players can participate up to a maximum of 8 women and 8 men in HCP order. If 8 foreign players do not apply, additional Hungarian players will be added to the vacancies in both the women's and men's categories (regardless of age). The Golf Federation makes the final starting list based on the players' Hcp index, in ascending order, regardless of age.

### Participation for the foreign players:

**HCP Index limit for foreigners:** 3 for men, 5 for women.

In case of waiting list 5 for men, 8 for women.

### **Tee boxes:**

**Men:** from man back tee box (white)

**Women** tee box: from woman back tee box (blue)

### **Prices and categories:**

**Men, Women:**

- I. Hungarian Open Match Play Champion
- II. Hungarian Open Match Play Championship 2. place
- III. Hungarian Open Match Play Championship 3. place

### Competition schedule:

1. day – October 8. Friday:

**Qualifying day to the table of the final 16 players.**

Example: if there are a total of 24 applicants (16 Hungarian + 8 foreign) the pairings on day 1 are as follows:

In HCP Index order of the participants:

- 9-24
- 10-23
- 11-22
- 12-21
- 13-20
- 14-19
- 15-18
- 16-17

After the first round, **the 8 winners** will be qualified into the best 16 players. board.  
 The 8 losers will also continue to play on for further rankings in the Saturday and Sunday rounds.

**2. day – October 9. Saturday**

**1. round:**

The pairings of the 16 men and 16 women will be made according to HCP Index order. The table below shows the pairings:

<b>Main Board</b>				<b>Side Board</b>			
1. match	1	-	16	17	-	24	9. match
2. match	2	-	15	18	-	23	10. match
3. match	3	-	14	19	-	22	11. match
4. match	4	-	13	20	-	21	12. match
5. match	5	-	12				
6. match	6	-	11				
7. match	7	-	10				
8. match	8	-	9				

The winners of the main board will play for the 1-8th. places in the 2nd round  
 The losers on the main board will play for the 9-16th. places in the 2nd round  
 The winners of the side board will play for the 17-20th places in the 2nd round  
 The losers on the side board will play for the 21-24th places in the 2nd round

**2. Round**

**From round 1 main board winner pairings:**

- 1-8. match winners against each other
- 2-7. match winners against each other
- 3-6. match winners against each other
- 4-5. match winners against each other

The winners will play for the 1-4th places in the 3. round.  
 The losers will play for the 5-8th. places in the 3. round.

**From round 1 main board loser pairings:**

- 1-8. match losers against each other
- 2-7. match losers against each other
- 3-6. match losers against each other
- 4-5. match losers against each other

The winners will play for the 9-12th places in 3. round.  
 The losers will play for the 13-16th places in 3. round.

**The pairings from the 1. round side board for the 17-24. place:**

9-12. match winners against each other  
10-11. match winners against each other

The winners will play for the 17-18th places in the 3. round.  
The losers will play for the 19-20th places in the 3. round.

9-12. match losers against each other  
10-11. match losers against each other

The winners will play for the 21-22th places in the 3. round.  
The losers will play for the 23-24th places in the 3. round.

**3. Day - October 10.- Sunday:**

**3.round:**

Pairings of the 8 winners of the 2. round:

1-4. match winners  
2-3. match winners  
9-12. match winners  
10-11. match winners

Pairings of the 8 losers of the 2. round:

5-8. match losers  
6-7. match losers  
13-16. match losers  
14-15. match losers

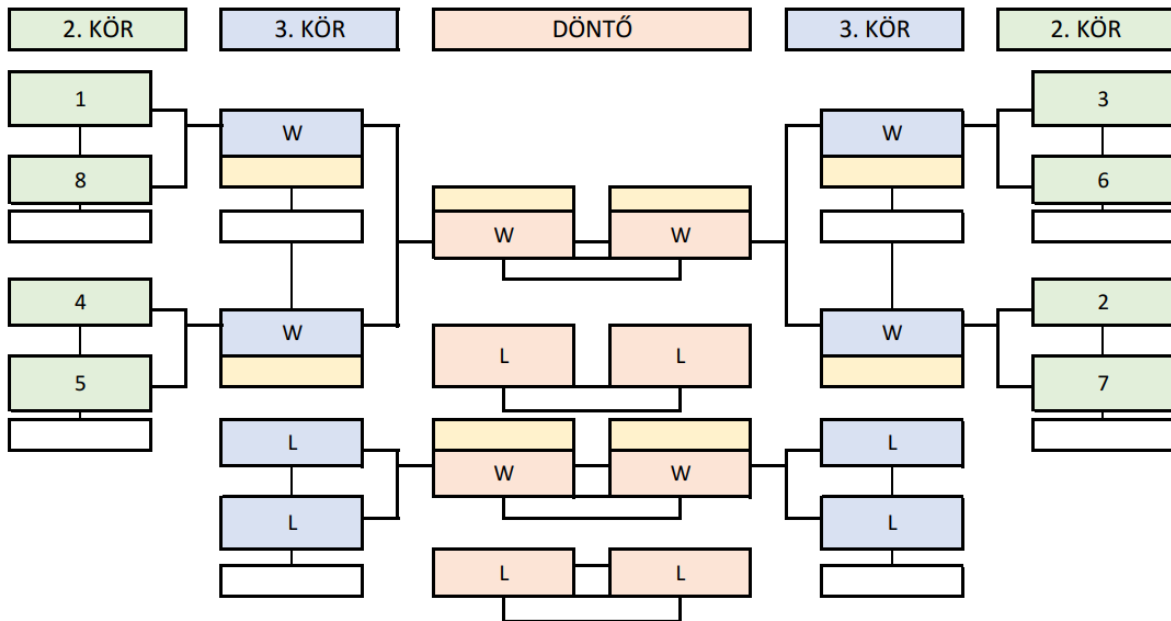
Based on the preliminary results on the side board, the final division matches will be as described in the previous round.

**4.round:**

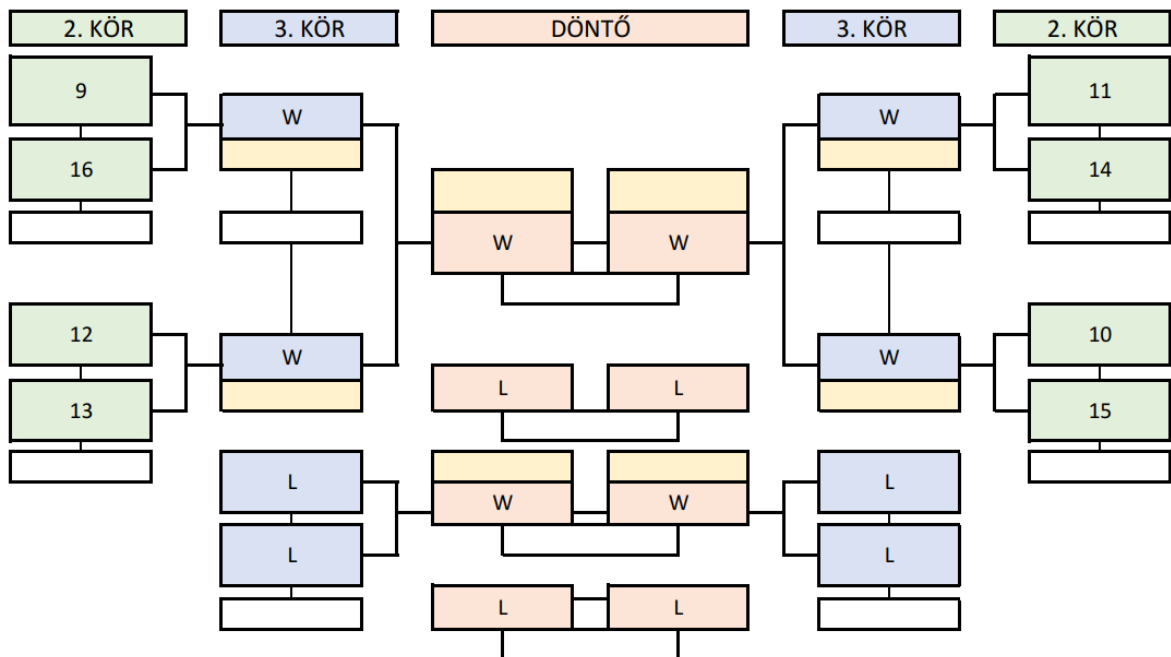
Based on the preliminary results on the main board, the final matches are:  
The 2 winners of the 3rd round play for the 1-2nd places.  
The 2 losers of the 3rd round play for the 3-4th places.

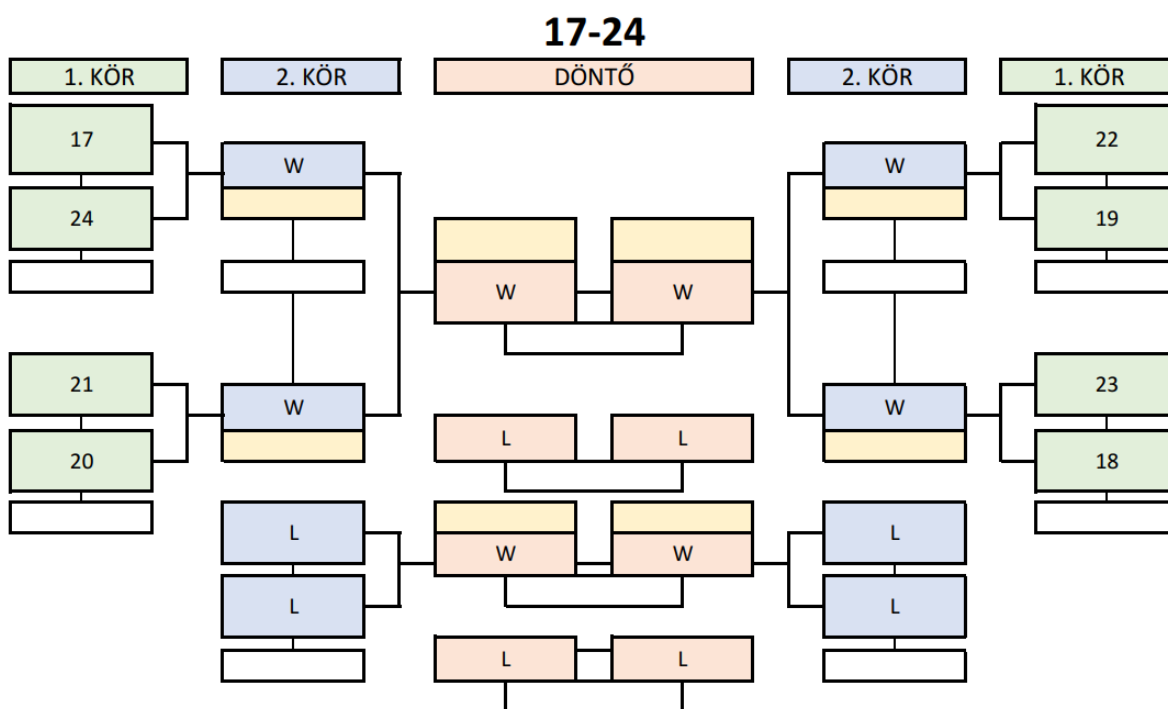
# The process

## 1-8



## 9-16





Official tournament Information about the current **results** (tables) will be displayed on the [GOLFIGO](http://GOLFIGO) page by clicking on the **Match Play tournament. (mgsz.golfigo.com)**

**Deadlock:**

Based on the no. 1 Annex of the Competition Regulations of MGSZ, upon completion of hole 18, the game shall be continued by repeating the stages of the prescribed round, in the order specified therein, until one of the parties will won the Match play.

**Committee:**

Championship director, 2 referees

**Award Ceremony**

Within 1 hour after the finish

**No show**

If a player does not appear in the match at the time specified in a match play round, he/she will be disqualified and his/her opponent will advance without play.

**Caddies**

Use of caddies are permitted.

**Golf cart**

Use of golf cart is not permitted.

**Pace of play**

According to the General Term and Conditions of Competitions of the Hungarian Golf Federation.

The Hungarian Golf Federation reserves the right of change.

Budapest, September 7, 2021